

# A 35

## PRESSURE GAUGE VALVES

### MODEL A 35 FIVE-WAY VALVE MANIFOLDS

These valves, specially designed for direct coupling on differential pressure gauges, can be used for measuring gases, vapours and liquids. Five-way manifold enables the purging of the system while the pressure instrument is operative.

#### PRESSURE RATING PN 400

Operating temperature  $-20/+250$  °C

#### STANDARD FEATURES

#### TYPE OF CONSTRUCTION

Execution from barstock

#### WETTED PARTS

Body, spindle and valve cone:  
stainless steel AISI 316

Gland packing:

PTFE up to 200 °C

GRAPHOIL up to 400 °C

#### VALVE ELEMENT

Spindle: with pivoted double cone

Spindle thread: non wetted

Handwheel: st. steel  $\varnothing 10 \times 40$  mm

#### PROCESS CONNECTION

2 x 1/2" BSP or NPT - M

Distance 54 mm

2 x 1/2" BSP or NPT - F

Distance 54 mm

#### INSTRUMENT CONNECTION

2 x union nut 1/2" BSP-F

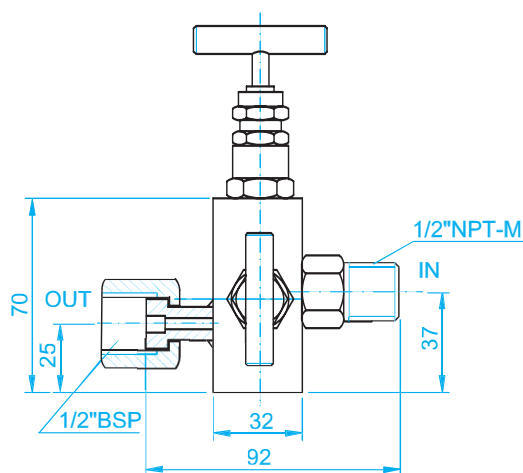
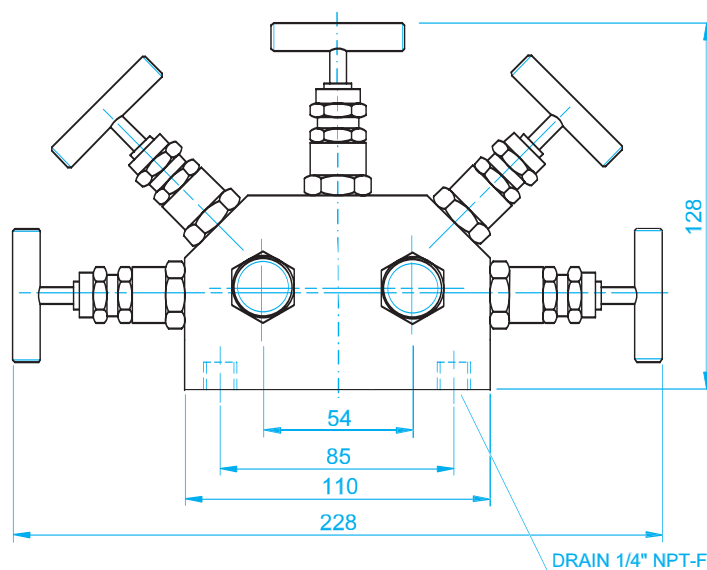
Distance 54 mm

#### OPTIONAL EXTRAS

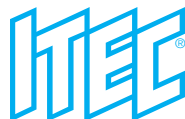
Degreased for oxygen service

Special material body

(monel, hastelloy C 276)



In the interest of technical progress ITEC reserves the right to modify, without prior notice, the specifications and material mentioned.



ITEC srl  
VIA C. BATTISTI 114/B  
28045 INVORIO (NO) ITALY  
TEL. 00 39 0322 259 759  
FAX 00 39 0322 255 157  
e-mail: info@itec.it

# A 35

## PRESSURE GAUGE VALVES

MODEL A 35 FIVE-WAY VALVE MANIFOLDS

### HOW TO ORDER

#### 1) BASIC MODEL

**A35**

#### 2) GAUGE CONNECTION (\*1)

**8F** 1/2" BSP - F (2 x UNION NUT)

#### 3) PROCESS CONNECTION

**7** 1/2" NPT - M    **8** 1/2" BSP - M    **7F** 1/2" NPT - F    **8F** 1/2" BSP - F

#### 4) BODY MATERIAL

**60** AISI 316 SS    **40** MONEL    **80** HASTELLOY C 276

#### 5) OPTIONS

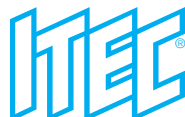
**GRA** PACKING GRAPHOIL FOR TEMPERATURE UP TO 400°C

**OS** OXIGEN SERVICE

1 . 2 . 3 . 4 . 5

EXAMPLE :

**A35** . **8F** . **7F** . **60** . **GRA**



ITEC srl  
VIA C. BATTISTI 114/B  
28045 INVORIO (NO) ITALY  
TEL. 00 39 0322 259 759  
FAX 00 39 0322 255 157  
e-mail: info@itec.it