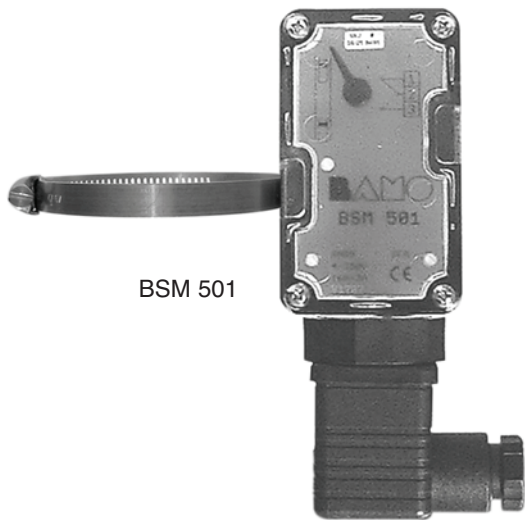


LEVEL SWITCH BY MICROSWITCH BSM 501- BSM 515



BSM 501

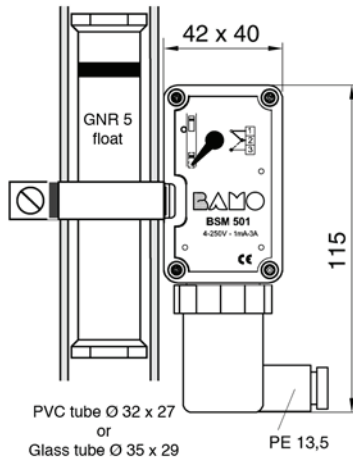
- Strong braking capacity
- Reverse and bistable switch
- IP 65 housing

PRINCIPLE

Magnetic handle, driven by float or conterweight, establish a dry contact operating on a microswitch. The various components such as terminal block are lead on printed board, the totality in an IP 65 box equipped with an output Pg13,5 stuffing box, and a S. Steel clamp for mounting on standard tube diameter 32, 35, 63 mm.

TECHNICAL FEATURES

Rated voltage	: 4 V ...250 V AC, 4 V30 V DC
Rated current	: 1 mA...3 A (AC or DC)
Switching principle	: magnetic actuated micro switch with change over contact
Min. distance	: 40 mm (between two switching points)
Max. cable cross section:	: 1,5 mm ²
Electrical connection	: 3-pole cable plug acc. DIN EN 175301 with PE terminal
Ambient temperature	: -20 °C...+90 °C
Material	: Translucent polycarbonate
Fixing	: Stainless steel collar for Ø 32, 35 or 63
Housing	: IP 65 acc. EN 60 529
CE labels	: In accordance with low Voltage Guidelines 72/73/EEC, EMV Guidelines 89/336/EEC



ACTIONNEURS ELEMENTS FOR BSM 501

Code	Type	Reference
570 075	GNR 51 PPh	Float for GNR 5 Glass
570 080	GNR 52 PPh	Float PPh Ø 32 for GNR 5
570 082	GNR 53 PVDF	Float for GNR 5 Ø 32 PVC
570 085	GNR 62	Float for GNR 6 PVC
583 400	CP/SFA	Counterweight for SFA and SFA/E

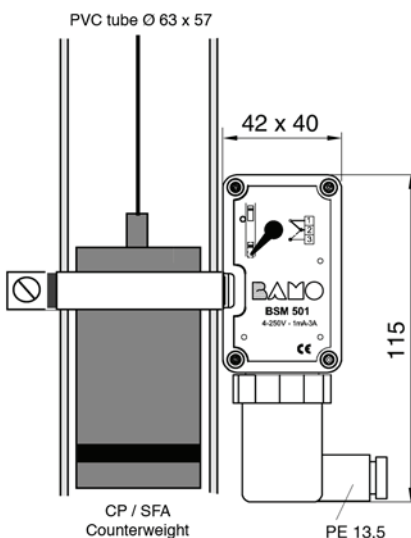
ACTIONNEURS ELEMENTS FOR BSM 515

Code	Type	Reference
560 ...	Float	Float for MAGTOP

CODES AND REFERENCES

Code	Reference	Using
585 132	BSM 501 / 32	Switch for GNR 5 and FS4
585 163	BSM 501 / 63	Switch for SFA, SFA/E and GNR 6
585 515	BSM 515 / 63	Switch for MAGTOP in Stainless Steel (1)

(1) Specific for stainless steel MAGTOP only
- Not suitable for Plastic or Steel MAGTOP.



BAMO MESURES

22, Rue de la Voie des Bans - 95 100 ARGENTEUIL - FRANCE
Tél : (+33) 01 30 25 83 20 - E-mail : info@bamo.fr
Fax : (+33) 01 34 10 16 05 - Site : http://www.bamo.fr

LEVEL SWITCH
FOR FLOAT SYSTEMS
BSM 501- BSM 515

28-08-2007

585 11 01 H

NIV

585-01/1