

MAGNETIC FLOAT LEVEL CONTROLLER MNR 6



- Available in PVC-PPH, PPH, PVDF and stainless steel 316 L
- 1 or 2 bi-stable change over contacts
- Small dimensions
- Lightly sensitive to specific weight variations
- 4-20 mA continuous transmitter (option RTM MNR6)

APPLICATIONS

Pumps and solenoid valves ON/OFF automation, low and high alarm signal, automatic tank filling up or draining, in all industries. MNR6 series are suitable only for non viscous and non sticky liquids, without magnetic and/or solid particles. The liquids may not crystallize.

PRINCIPLE

Switches are mounted in the guiding stem; they are actuated by the magnet, built in the float, to allow 1 or 2 level detections to correspond with your application.

PRESENTATION

All wetted parts are in PVC with PA (float), PPH, PVDF or stainless steel 316L (see the cross table). Mounting on the tank is through a threaded connector or with a flange; a different type without connection (straight stem) is available with a cable output. In all models the float is easily removed by unscrewing the lower blocking ring.

TECHNICAL FEATURES

Max pressure (at 20°C):	3 bar for composite material 20 bar for stainless steel
Temperature limits:	PVC, +5 to +50°C PPH, -5 to +105°C PVDF, -10 to +110°C 316L, -20 to +110°C
Contact (1 or 2):	Change over contacts, bi-stable by using a stopper
Switching capacity:	60 VA
Minimum distances:	100 mm between 2 contacts Upper dead zone = 60 mm Lower dead zone = 50 mm
Precision:	± 2 mm
Hysteresis:	8 mm

WIRING

Wiring is through the screw terminal in the head housing. For remote cable connection, the cable output model allows the use of 1 bi-stable change over contact or 2 bi-stable contacts NO or NC or NO and NC. The DIN connector model is only available with 1 contact.

BAMO MESURES

22, Rue de la Voie des Bans - Z.I. de la Gare - 95100 ARGENTEUIL

Tél : (+33) 01 30 25 83 20 - Web : www.bamo.fr

Fax : (+33) 01 34 10 16 05 - E-mail : info@bamo.fr

Magnetic float level controller
MNR 6

18-12-2008

551 I1 01 D

NIV

551-01/1

DESCRIPTION AND FEATURES

Stem and stopper(s) material

PVC (Max length 1000 mm)
 PPh (Max length 1000 mm)
 PVDF (Max length 1000 mm)
 Inox (Max length 1500 mm)

Float material

PA
 PPh
 PVDF
 316L

Contact number

1 or 2 contact(s)

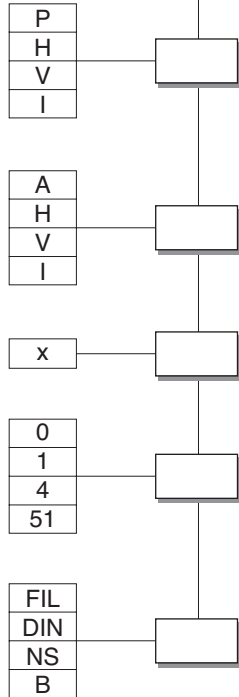
Process connection

None
 1/2" MG
 2" MG
 Flange DN 50

Head housing

Cable output (3 m long)
 DIN connector (only 1 contact)
 NORYL housing
 Type B (al alloy)

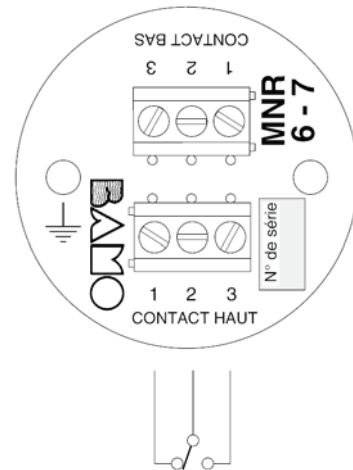
MNR 6



FLOAT DIMENSIONS

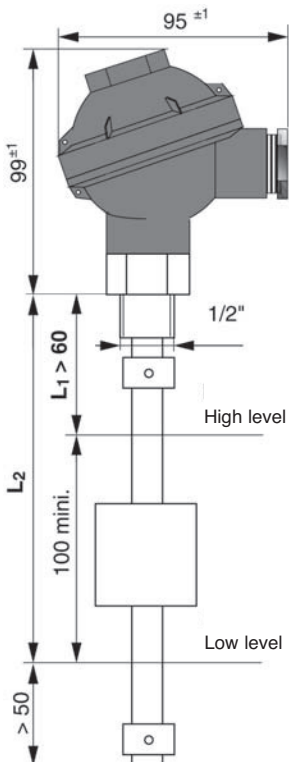
Material	Height /mm	Ø /mm	Weight /gr	Density min
PA	29	42	22	0,75
PPh	36	42	20	0,65
PVDF	49	41	40	0,90
S.S. 316L	43	43	24	0,70

WIRING WITHOUT FLOAT

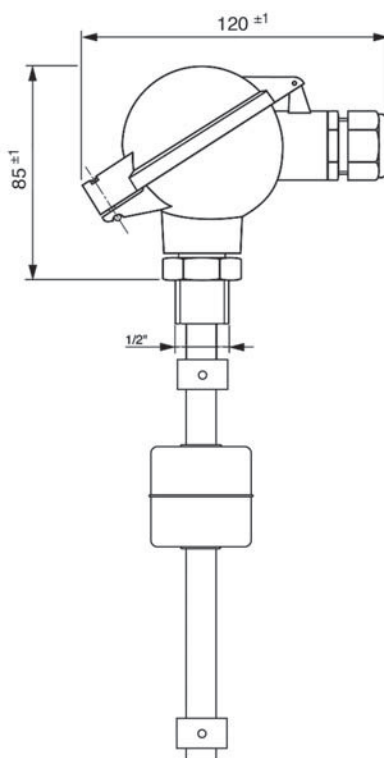


DIMENSIONS

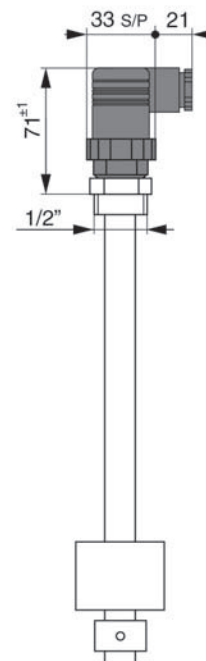
MNR 6 P-H-2-1-NS



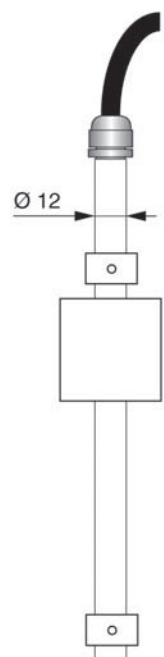
MNR 6 I-I-2-1-B



MNR 6 I-A-1-1-DIN



MNR 6 I-H-2-0-FIL



BAMO MESURES

22, Rue de la Voie des Bans - Z.I. de la Gare - 95100 ARGENTEUIL
 Tél : (+33) 01 30 25 83 20 - Web : www.bamo.fr
 Fax : (+33) 01 34 10 16 05 - E-mail : info@bamo.fr

Magnetic float level controller
MNR 6

NIV

551-01/2

18-12-2008

551 I1 01 D