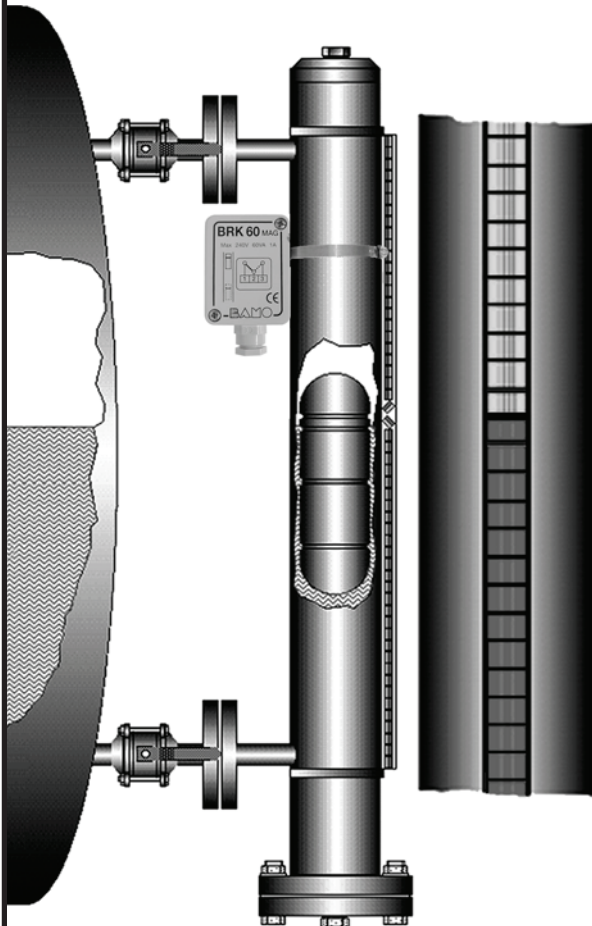


# LEVEL INDICATOR MAGTOP

- Totally safe
- Easy reading
- Reliable indication
- Shock resistant
- Construction: Stainless steel, PVC, PPH, PVDF
- Level switches
- 4-20 mA transmitter



## PRINCIPLE

These level indicators give an instant reading of liquid level even if it is not transparent.

The mechanical resistant allows an installation on tank storage for dangerous products (hot water under pressure, bases or acids).

Optional level switches are mounted along the guiding tube, as well as an analogical transmitter (continuous level sensor) with a 4-20 mA or Ohm value signal.

## ACCESSORIES

The switches BSM, BRK, BRT may be mounted along the column, please see our documentations 585.

A continuous level sensor RTM may also be mounted along the tubing guide, please see the documentation 586. The transmitters are with a potentiometrical output (in Ohm) or with a 4-20 mA signal.

Graduated rulers are specifically designed in PVC or stainless steel. Scales are in [%] or in [cm] or graduations in volume. They are mounted on the side of the column, close to the magnet ruler.

## MODELS

In standard, those equipments are manufactured in stainless steel with sided process connections, threaded or with flanges.

For aggressive products the material could be PVC, PPH or PVDF.

It is possible to realize the same principle instrument above the tank. In this case a free space on the top should be equal to the immersion length.

## ORDERING

The following process parameters must be specified with the order

Liquid:	.....
Specific weight:	.....
Pressure:	.....
Temperature:	.....

Above information will appear on the TAG plate.

A complete definition is done with the descriptions in the next pages. Before manufacturing, we send a drawing for conformity acceptance.

Options have to be clearly specified.

# BAMO MESURES

22, Rue de la Voie des Bans - Z.I. de la Gare - 95100 ARGENTEUIL

Tél : (+33) 01 30 25 83 20 - Web : [www.bamo.fr](http://www.bamo.fr)

Fax : (+33) 01 34 10 16 05 - E-mail : [info@bamo.fr](mailto:info@bamo.fr)

LEVEL INDICATOR  
MAGTOP

17-10-2007

560 11 01 G

NIV

560-01/1

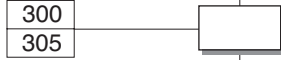
560

## DESCRIPTION AND TECHNICAL FEATURES

## MAGTOP

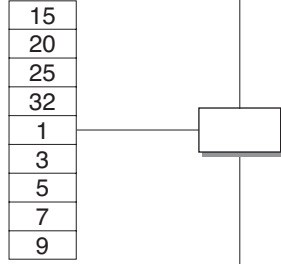
### Material

All stainless steel  
Stainless steel & carbon steel flanges



### Process connections

DN 15 - PN 16  
DN 20 - PN 16  
DN 25 - PN 16  
DN 32 - PN 16  
BSP 1/2"  
BSP 3/4"  
BSP 1"  
BSP 1 1/2"  
Other type



### Distance between flanges axis

500 mm to 5 000 mm

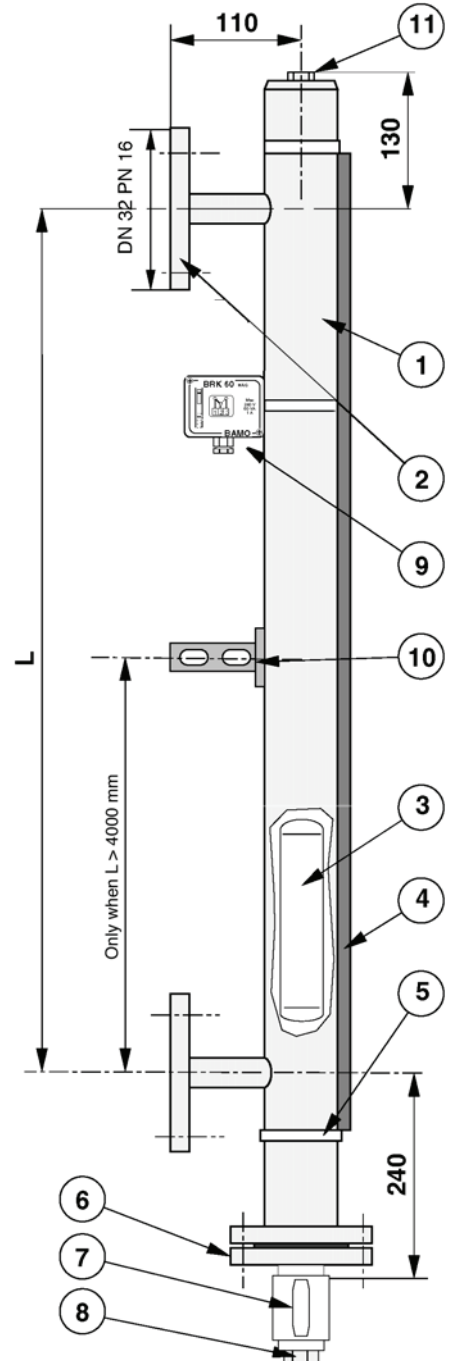
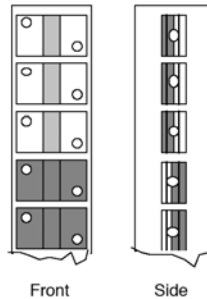


### Options

Graduated ruler: DOC 583-03  
Switches: DOC 585-01/ DOC 585-02  
Continuous level transmitter: DOC 586



### Magnet ruler

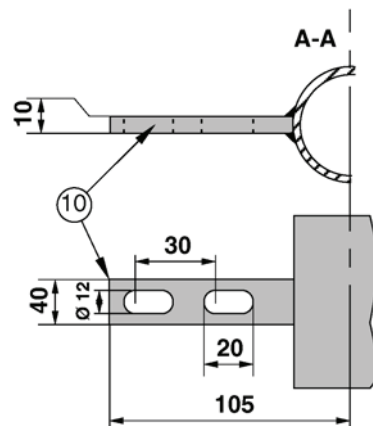


## COMPLEMENTARY INFORMATION

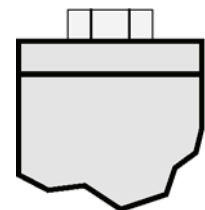
When the length is over 4000 mm, the instrument is manufactured in two parts. Supplementary supports are welded on the guiding tube: they will be fixed on site on the tank. From the drawing, the end-user could confirm or modify the lieu of those supports. Before manufacture, a drawing is sent for acceptance.

## NOMENCLATURE

- 1 Stainless steel 316 L guiding tube, diameter 60.3 mm
- 2 Flanges, ND 15 to ND32, nominal pressure NP10
- 3 Magnetic float
- 4 MACROLON or Aluminum magnet ruler (according to temperature)
- 5 Magnet ruler fixing collar, stainless steel 304
- 6 ND 32 flange for maintenance
- 7 Draining valve (option)
- 8 BSP 1/2" draining plug
- 9 BSM or BRK level switches (option)
- 10 Supplementary support (when necessary)
- 11 BSP 1/2" Vent hole with tap (option)



VENT HOLE  
(Optional)



# BAMO MESURES

22, Rue de la Voie des Bans - Z.I. de la Gare - 95100 ARGENTEUIL  
Tél : (+33) 01 30 25 83 20 - Web : [www.bamo.fr](http://www.bamo.fr)  
Fax : (+33) 01 34 10 16 05 - E-mail : [info@bamo.fr](mailto:info@bamo.fr)

## LEVEL INDICATOR MAGTOP

17-10-2007

5601101G

## NIV

## 560-01/2

560

## DESCRIPTION AND TECHNICAL FEATURES

## MAGTOP

### Material

PVC  
PPH  
PVDF

801  
803  
806

### Process connections

ND 25 - PN 6  
ND 32 - PN 6  
Other type

25  
32  
9

### Distance between flanges axis

500 mm to 5 000 mm

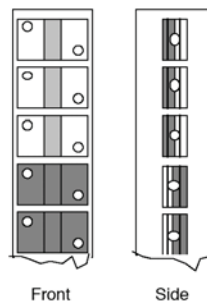
XXX

### Options:

Graduated ruler: DOC 583-03  
Switches: DOC 585-02  
Continuous level transmitter: DOC 586

MAGTOP

### Magnet ruler



Front

Side

## COMPLEMENTARY INFORMATION

Mainly used for aggressive fluid applications, these MAGTOP are made of plastic materials. Floats are manufactured in accordance with fluid specific weight and with the same material as the MAGTOP. Before manufacture, a drawing is sent for acceptance.

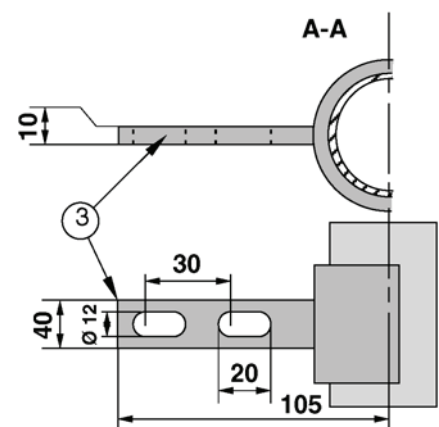
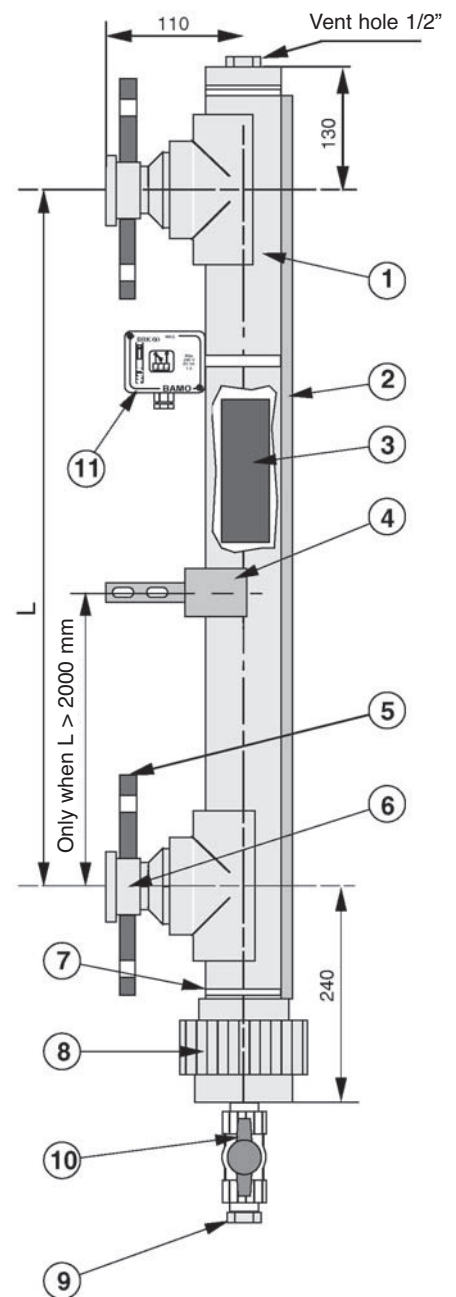
## OPTION

When the length is over 2000 mm, the instrument is manufactured in two parts. Supplementary supports fit the guiding tube: they will be fixed on site on the tank. From the drawing, the end-user could confirm or modify the lieu of those supports.

## NOMENCLATURE

- 1 PVC, PPH or PVDF guiding tube
- 2 MACROLON magnet ruler
- 3 PVC, PPH, PVDF magnetic float
- 4 Supplementary support (when necessary)
- 5 PVC or PPH steel reinforced flanges, ND 25 or ND32
- 6 Sealing surface
- 7 Magnet ruler fixing collar, stainless steel 304
- 8 Union (3 pieces) for maintenance
- 9 Drain tap
- 10 Draining valve (option)
- 11 BSM or BRK level switches (option)

BSP \_" Vent hole with tap on the tube guide top



## DESCRIPTION AND TECHNICAL FEATURES

### Type

Tube, St steel 316L, Ø 63 mm

### Connecting

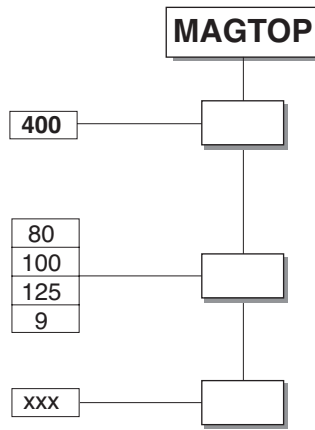
ND 80 PN 16  
 ND 100 PN 16  
 ND 125 PN 16  
 Other

### Distance between flanges (L)

Max 1 000 mm

### Options

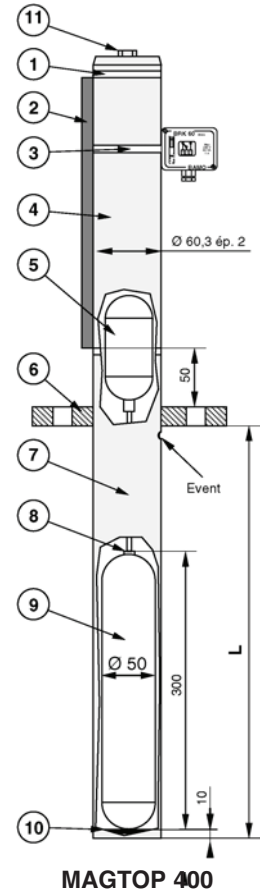
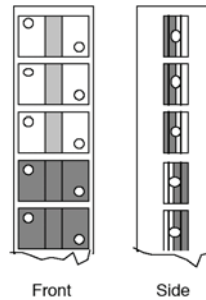
Graduated ruler: DOC 583-03  
 Switches: DOC 585-01/ DOC 585-02  
 Continuous level transmitter: DOC 586



## NOMENCLATURE

- 1 Magnet ruler fixing collar, stainless steel 304
- 2 MACROLON or aluminum magnet ruler (according to T°)
- 3 BSM or BRK level switches (option)
- 4 Indication tube, stainless steel 316L, Ø 63 mm
- 5 Magnet actuator
- 6 ND65 to ND125 PN10/16 flange
- 7 Guiding tube
- 8 Push rod
- 9 Float
- 10 Float stopper
- 11 BSP \_" Vent hole with tap (option)

### Magnet ruler



### Type

Indication tube, St steel 316L, Ø 63 mm  
 Guiding tube – Ø 104

### Connecting

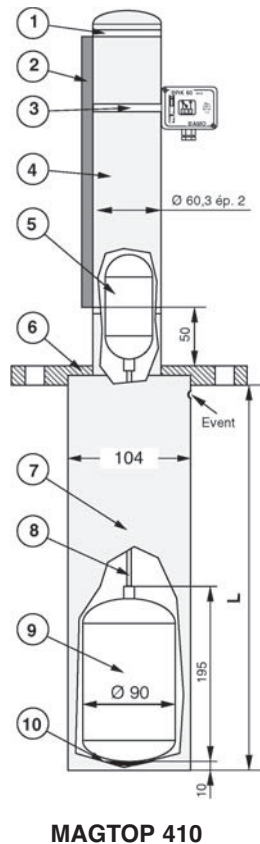
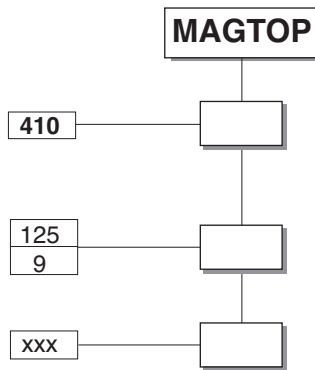
ND 125 PN 16  
 Other

### Hauteur L

500 mm to 5000 mm

### Options

Graduated ruler: DOC 583-03  
 Switches: DOC 585-01/ DOC 585-02  
 Continuous level transmitter: DOC 586



## COMPLEMENTARY INFORMATION

When the length is over 2500 mm, the instrument is manufactured in two parts. Before manufacture, a drawing is sent for acceptance.

# BAMO MESURES

22, Rue de la Voie des Bans - Z.I. de la Gare - 95100 ARGENTEUIL  
 Tél : (+33) 01 30 25 83 20 - Web : [www.bamo.fr](http://www.bamo.fr)  
 Fax : (+33) 01 34 10 16 05 - E-mail : [info@bamo.fr](mailto:info@bamo.fr)

## LEVEL INDICATOR MAGTOP

17-10-2007

560 11 01 G

## NIV

560-01/4