

LOOP PARTITOR

self-powered

ATI10 ATI20

EFFICIENT AND ECONOMICAL!

ADVANTAGES

- ▶ The ATI solves the common point problems which may appear on measure loops and also reduces the rejection of the disturbances induced on the cables.
- ▶ The ATI insulates the sensors or transmitters from the process receivers (PLCs, recoders, etc.)

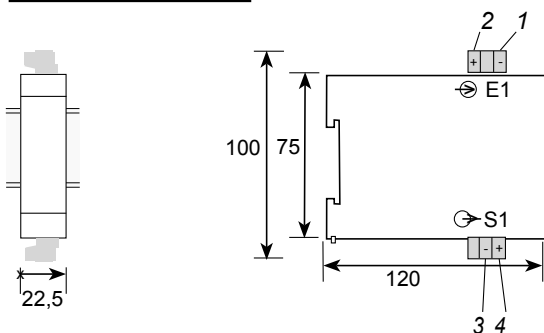


Functions

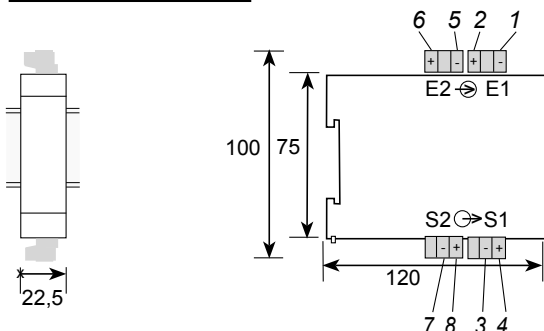
- ▶ 1 or 2 insulated measure channels
- ▶ Insulation between input / output
- ▶ Transfer ratio 1 / 1
- ▶ High transmission accuracy
- ▶ High load impedance
- ▶ Powered by the input signal
- ▶ Reduced dimensions

Dimensions

ATI10: dimensions: 75 x 22.5 x 120 mm



ATI20: dimensions: 75 x 22.5 x 120 mm



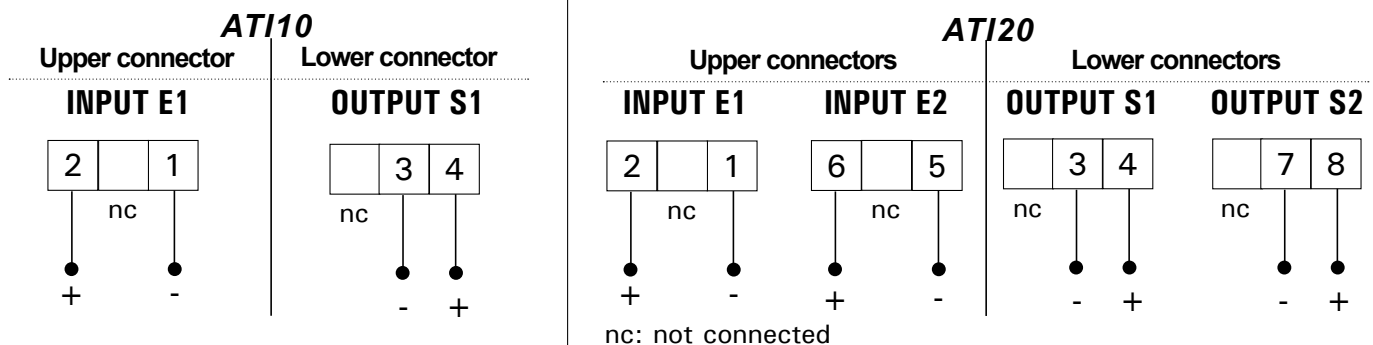
Applications

- Insulation of current loops.
- Insulation of measure transmitters from the PLC boards.
- Insulation of 4-20mA signals from thermocouples which may start to have insulation problems when the temperature increases.

Technical features at 23°C

		ATI10	ATI20
INPUT	Number of channels	1 channel	2 channels
	Current	0..4..20 mA	0..4..20 mA
	Internal voltage drop at 20mA	≤ 1.8 V	≤ 1.8 V
	Load loss	$I \times L_r + 1.8 V$	$I \times L_r + 1.8 V$
	Max. admissible voltage U_e	$U_e \leq 16 VDC$	$U_e \leq 16 VDC$
	Impedance in Ω at 20 mA	$L_r + 90 \Omega$	$L_r + 90 \Omega$
SUPP OUTPUT	Number of channels	1 channel	2 channels
	Current	0..4..20 mA	0..4..20 mA
	Max. load (L_r in Ω) admissible at 20 mA	650 Ω	650 Ω
SUPP	Power supply	Self-powered by the input loop	Self-powered by the input loop
GENERAL DATA	Nominal response time (0 to 90%)	1 ms	1 ms
	Accuracy at the nominal conditions Class	0.15 % at $L_r = 100 \Omega$	0.15 % at $L_r = 100 \Omega$
	Temperatures		
	Operating	0 to 55°C	0 to 55°C
	Storage	-20 to +70 °C	-20 to +70 °C
	Others		
Transforming ratio	1 / 1	1 / 1	
Insul. input/output and betw. channels	2 Kv 50Hz 1mn	2 Kv 50Hz 1mn	
Condense free dampness	85 %	85 %	
Standards	CE acc. EN50081-2 & EN50082-2	CE acc. EN50081-2 & EN50082-2	
MECHANICAL FEATURES	Dimensions H x L x D	75 x 22.5 x 120 mm	75 x 22.5 x 120 mm
	Tightening	Horizontal symmetrical DIN rail	Horizontal symmetrical DIN rail
	Sealing	Housing / terminals IP 20	Housing / terminals IP 20
	Terminals	Screw-in connectors for flexible or rigid 2.5 mm ² wires	Screw-in connectors for flexible or rigid 2.5 mm ² wires
	Weight	90 g	125 g

Connectings



This appliance is dedicated to industrial applications. It has to be installed in an electrical switchbox, or equivalent.

ARDETEM[®]

RCS Lyon 444-429-476 - Printed in France.
e-mail : info@ardetem.com
<http://www.ardetem.com>

Route de Brindas
Parc d'activité d'Arbora N°2
69510 SOUCIEU EN JARREST
FRANCE

Tél. : 33 (0)4 72 31 31 30
Fax. : 33 (0)4 72 31 31 31

your representative