

P600

BOURDON TUBE PRESSURE GAUGES **"OPEN FRONT" ALL STAINLESS STEEL AS PER EN 837.1** **MODEL P600 / P600.5 , WITHOUT / WITH LIQUID FILLING**

CASE DIAMETER

100 and 150 mm

ACCURACY CLASS

1.0

SCALE RANGE

0...0,6 to 0...1600 bar
or equivalent other units of
pressure or vacuum ranges

PRESSURE LIMITATION

Continuous service:
- steady pressure up to F.S. value
- fluctuating pressure up to 90%
F.S. value
- short time 1,3 x F.S. value for
range up to 100 bar and 1,15
x F.S. for range over 100 bar

OPERATING TEMPERATURE

Ambient :
-40 / +60 °C without liquid filling
-20 / + 60 °C with liquid filling
Medium :
+200 °C max. without liquid filling
+100 °C max. with liquid filling

TEMPERATURE EFFECT

When temperature of the
measuring system deviates
from reference temperature
(+ 20 °C) max error $\pm 0,4\%$ /10K
of true scale value

STANDARD FEATURES

PROCESS CONNECTION

AISI 316 L stainless steel
Thread size for lower or back
mounting :
1/2" BSP or NPT

PRESSURE ELEMENT

AISI 316 L stainless steel
< 100 bar : C - type
> 100 bar : Helical type

MOVEMENT

Stainless steel, with over and
underload stop
Free zero

MEASURING SYSTEM

Bourdon tube and socket are
TIG-welded: one integral unit

DIAL

Aluminium with black
markings on white
background, dial arc 270 °C

POINTER

Adjustable, black aluminium

CASE AND RING

AISI 304 stainless steel
Bayonet ring style
with pressure relief in case
back
Filling plug on top (to be used
also to vent case before use
for range ≤ 16 bar)

INGRESS PROTECTION

IP 65 - EN 60 529 / IEC 529

WINDOW

Safety glass 4 mm thickness

GASKET

Neoprene rubber

LIQUID FILLING

(model P600.5)

Glycerine 99,7 %

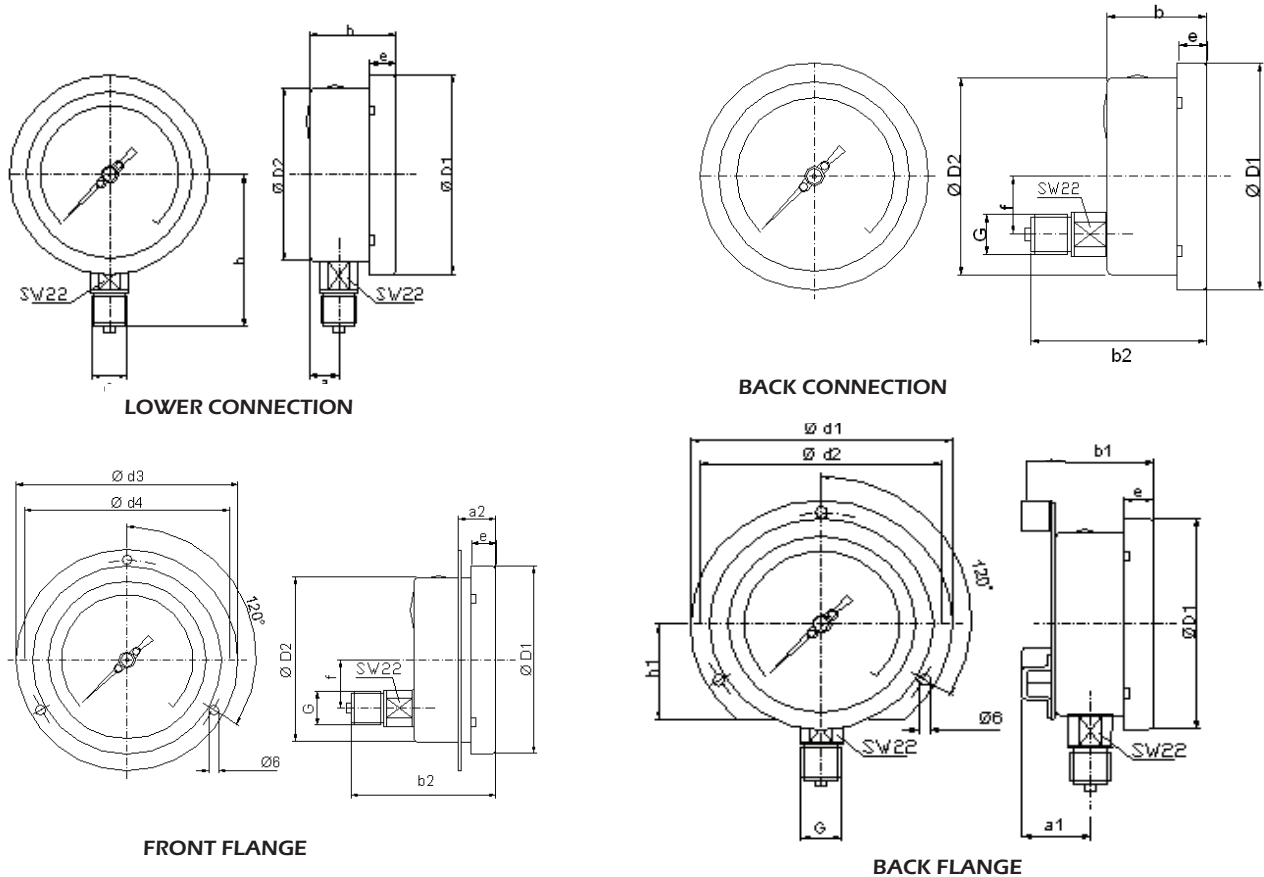
OPTIONAL EXTRAS

Other process connection
Case and ring AISI 316 ss
Monel measuring system
Surface mounting with back
flange
Panel mounting with front
flange
U-clamp connection
Silicon oil case filling (ambient
temperature -40/+60)
Other liquids are available upon
request (such as compatible
with food processes or for
oxygen service)
Electric contacts (see CE data
sheet)
Plastic window (not for ATEX)
Diaphragm seals (see DS data
sheet)
Oxygen service
Customer designed dials
Dial tag marking
Maximum reading pointer
Movement with dampening jelly
Screw restrictor
Accuracy class 0,5
Version per ATEX Ex II 2GD c



ITEC srl
Via C. Battisti 114B
28045 Invorio (NO)- ITALY
Tel: +390322259759
Fax: +390322255175
e-mail: info@itec.it

P600



Dimensions (mm)

	a	a1	a2	b	b1	b2	D1	D2	d1	d2	d3	d4	e	f	G*	h	h1
100	16	20	21,5	48	61	92	110.5	100	134	116	135	116	12.5	30	1/2"	88	52
150	16	20	23	48	62	92	162	148.5	190	175	186	175	15.5	48	1/2"	111	85

* BSP or NPT

How to order

- NOMINAL SIZE** **100** **150**
- BASIC MODEL** **P600**
- THREAD CONNECTION** (1) (1) Other connections available on request

1 1/4" BSPT-M	2 1/4" NPT-M	3 1/4" BSP-M	7 1/2" NPT-M
8 1/2" BSP-M	9 3/8" BSP-M	10 3/8" NPT-M	11 M 20 x 1,5
- TYPE OF MOUNTING**

L DIRECT BOTTOM ENTRY	R DIRECT BACK ENTRY
LF SURFACE/WALL MOUNTING WITH BOTTOM ENTRY	
RF FLUSH PANEL FRONT FLANGE WITH BACK ENTRY	
RB LOWER BACK ENTRY WITH MOUNTING BRACKET (U-CLAMP)	
- SCALE RANGE** 0...0,6 to 0...1600 bar (or equivalent other units of pressure or vacuum)
- OPTION** **OA** ACCURACY 0,5% OF F.S. **P** PLASTIC WINDOW **CS** AISI 316 CASE & RING
PG GLYCERINE FILLED DAMPENING LIQUID **PZ** SILICON OIL FILLED DAMPENING LIQUID
SJ MAXIMUM READING POINTER **SX** STAINLESS STEEL TAG PLATE **SW** DIAL TAG MARKING
RH CUSTOMER DESIGNED DIAL **AT** ATEX VERSION **MI** MONEL WETTED PARTS (TUBE & SOCKET)
MD MOVEMENT WITH DAMPENING JELLY **OS** OXYGEN SERVICE **FS** SILICON OIL FILLABLE
PF DAMPENING LIQUID FLUOROLUBE FILLED **PT** DAMPENING SCREW RESTRICTOR AISI 316
 --- DIAPHRAGM SEAL (code and description data sheet "diaphragm seals")
 --- ELECTRIC CONTACTS (code and description data sheet "electric contacts")

EXAMPLE

1	2	3	4	5	6
100	P600	7	R	10 bar	OA-AT