


INDUSTRIAL RADIO MODEM

ITR 433

Type

The ITR433 is an industrial radio modem operating in the frequency band of the 433 MHz without license or prior declaration. It is used for the remote control, the watching, the telemetering or the transfer of data in applications where the wiring is delicate and costly: dams, weather forecast stations, rotating machines, or process in move (crane, vehicle, robotics ...)

Environment

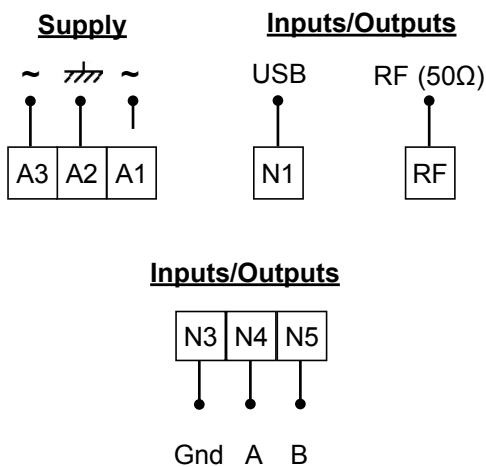
- Operating temperature: 0°C to +55°C.
- Storage temperature: -25°C to +70°C.
-  marking (89/336 rev.92/31).



Functions

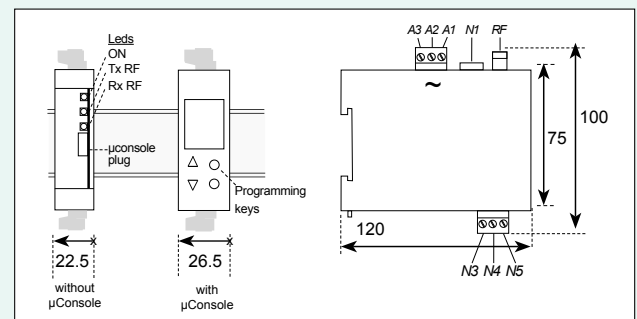
- RS485 and USB interface.
- 433 MHz. frequency band.
- Use without license.
- Rated power 10mW.
- Resistant and industrial design.
- Universal (switching) power supply.
- Configuration by μ Console.

Wiring



Dimensions

Dimensions: (H x L x D) 75 x 22.5 x 120 mm
With μ Console: 80 x 26.5 x 130 mm



- Housing** : Self extinguishing, of black UL94V0 ABS.
- Connectors** : Power supply and RS485:
Plug-off connectors for screwed connectings (2.5mm², flexible or rigid)
USB: Type B
RF: SMA Reverse
- Protection** : Case / terminals: IP 20

Technical features

Inputs / Outputs

• USB

| | |
|-----------|---|
| Connector | Type B |
| Speed | 1200 / 4800 / 9600 / 19200 / 38400 / 57600 / 115200 bauds |
| Protocole | 8 bits, programmable parity |

• RS485

| | |
|---------------------|--|
| Type | 3 wire |
| Speed | 2400 / 4800 / 9600 / 19200 / 57600 bauds (configurable by μ Console) |
| Data | 8 bits (without parity), or 9 bits (with parity) |
| Parity | Configurable by μ Console. |
| RS 485 polarisation | Configurable by jumpers. |

• Radio

| | |
|-------------------------|--|
| Frequency | 433 to 434 MHz (16 channels of 100kHz) |
| Radio flow: | 10 kbauds |
| Emission power | 10 dBm (10mW) |
| Reception sensitiveness | -104 dBm |
| Aerial impedance | 50 Ω |
| Aerial connector | Type SMA Reverse |

Supply

Universal power supply
20...270 VAC / 20...300 VDC

Wiring

With detailed manual, provided with the instrument.

This appliance is dedicated to industrial applications. It has to be installed in an electrical switchbox, or equivalent.

Coding

Type:

ITR433 Industrial 433 MHz radio modem with plug-off micro console, for the configuration

Aerials:

ITR433M1



Not suitable for a metallic switchbox
Not suitable for outdoor use
Reach in free field: 1km
No aerial cable

ITR433M2



For screwing on the switchbox (2m cable provided)
Not suitable for outdoor use
Reach in free field: 1km
Longer cable available on request

ITR433M3



For screwing on the switchbox (2m cable provided)
Suitable for outdoor use
Reach in free field: 1km
Longer cable available on request

ITR433M4



For screwing on the switchbox (2m cable provided) or on a mast
suitable for outdoor use
Reach in free field: 2km
Longer cable available on request

ITR433M5



Directional aerial
For screwing on the switchbox (75cm cable provided) or on a mast
Suitable for outdoor use
Reach in field up to 10km
Longer cable available on request



e-mail : info@ardetem.com
<http://www.ardetem.com>

Route de Brindas
Parc d'activité d'Arbora N°2
69510 SOUCIEU EN JARREST
FRANCE

Tél. : 33 (0)4 72 31 31 30
Fax. : 33 (0)4 72 31 31 31

Your representative