

CONDUCTIVITY INDUCTIVE PROBES TOR



Fig. 1

- Process measurement on line or by immersion
- Wetted part: NORYL
- For waste liquids
- Wide range of applications in the chemical industry, food industry, paper...
- Large scales: from 0-2 to 0-2000 mS
- Probe material: NORYL

PRINCIPLE

The transmitting toroidal spool generates a magnetic field. This magnetic field creates an electric field in the fluid. The current generated by the second toroidal spool (*receiver*) is proportional to conductivity.

DESCRIPTION

Two toroidal spools encapsulated in NORYL material (*Fig.1*). This sensor is a standard version with an integrated temperature sensor for the automatic temperature compensation.

ON LINE MEASUREMENT

The sensor 3/4"NPT connection is assembled with a TEE (*Fig.3*). The final assembly on line is done with unions for solvent welding on PVC material, or unions for fusion on PPH and PVDF Tees.

IMMERSION PROBE MEASUREMENT

The sensor fits on our immersion electrode holder (*Fig.2*). The probe length is from 500 to 2000 mm. Fixing on the tank is done with an adjustable flange (*option*). Material flange and probe: PVC

CONDUCTIVITY METER

The BAMOPHOX TOR types, wall mounting or panel mounting, are the suitable monitors for the inductive probes.

A BAMOPHOX TOR has measuring ranges different from a standard monitor:

- a) 0 - 2 mS
- b) 0 - 20 mS
- c) 0 - 200 mS
- d) 0 - 2000 mS

The automatic temperature compensation is done with an integrated Pt 100 Ohm/0°C sensor. From the monitor a temperature signal is available on the 4-20 mA output.

The calibration is done in our laboratory.



Fig. 3



Fig. 2

BAMO MESURES

22, Rue de la Voie des Bans - Z.I. de la Gare - 95100 ARGENTEUIL
Tél : (+33) 01 30 25 83 20 - Web : www.bamo.fr
Fax : (+33) 01 34 10 16 05 - E-mail : info@bamo.fr

CONDUCTIVITY INDUCTIVE
PROBES
SERIE TOR

16-10-2009

364 I1 01 I

RES

364-01/1

TECHNICAL FEATURES

Measurement range:	from 10 μ S - 2 mS to 10 μ S - 2000 mS
Sensor material:	NORYL
Maximum temperature:	105 °C
Maximum pressure:	10 bar
Temperature compensation:	integrated sensor Pt 100 Ohm /0°C
Cable extension:	5 m

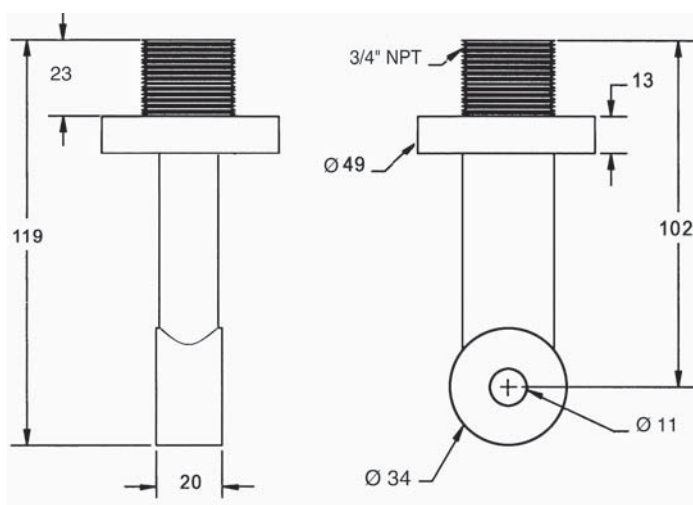
For cable length above 5 m, the junction box and extension cable are required.

NOTE: in any case, a junction box is fitted, on the probe head, between the toroidal sensor and the monitor.
Two special cables are necessary: type C3B and C8B.

CODE NUMBERS AND REFERENCES

Code	Reference	Designation
364 056	TCS 3020 NORYL	Toroidal conductivity probe, 3/4" NPT, NORYL, extension cable 5 m
364 100	T PVC	Mounting TEE 90° PVC, socket solvent welding, DN 50
364 150	T PPH	Mounting TEE 90° PPH, socket fusion, DN 50
364 200	T PVDF	Mounting TEE 90° PVDF, socket fusion, DN 50
364 300	Probe SI PVC / 364	Immersion probe PVC. Length 500 to 2000 mm (to confirm with the order)
364 400	Probe SI PVDF / 364	Immersion probe PVDF. Length 500 to 2000 mm (to confirm with the order)
322 364	BAMOPHOX322 TOR/E	Panel mounting
322 365	BAMOPHOX322 TOR/E/A	Panel mounting - Blind for extension
322 367	BAMOPHOX322 TOR/D/A	Rail DIN mounting - Blind for extension - Screw terminal IP40
322 366	BAMOPHOX322 TOR/E/LOG BUS	Panel mounting / RS 422 + LOGGER - front: IP 65, screw terminal IP 40
322 464	BAMOPHOX322 TOR/M	Wall housing
322 465	BAMOPHOX322 TOR/M/A	Wall housing - IP 65 / Blind for extension - Screw terminal through cable gland
322 466	BAMOPHOX322 TOR/M/LOG BUS	Wall housing - IP 65 / RS 422 + LOGGER - Screw terminal through cable gland
610 010	C3B	Shielded cable 3 wires
368 108	C8B	Shielded cable 8 wires

DIMENSIONS



BAMOPHOX 322 TOR
Panel mounting 72 x 144 mm (main device)

BAMO MESURES

22, Rue de la Voie des Bans - Z.I. de la Gare - 95100 ARGENTEUIL
Tél : (+33) 01 30 25 83 20 - Web : www.bamo.fr
Fax : (+33) 01 34 10 16 05 - E-mail : info@bamo.fr

CONDUCTIVITY INDUCTIVE
PROBES
SERIE TOR

16-10-2009

364 11 01 1

RES

364-01/2