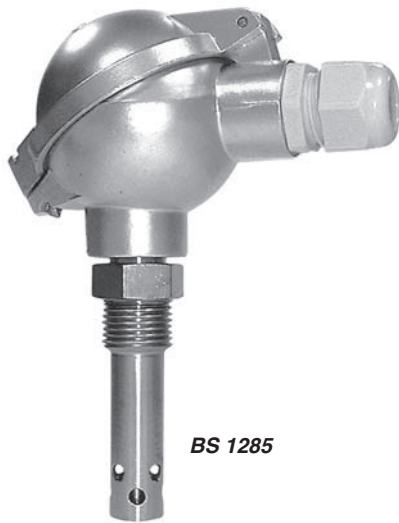


# RESISTIVITY AND CONDUCTIVITY BS - BC - PROBES WITH COAXIAL CELLS



BS 1285



BC 1427



BS 570



BS 1287

- Resistivity and Conductivity probes
- Cell factors 0.1 and 0.01
- Reliability and sturdiness
- Construction: Stainless Steel and PTFE, PVC
- Also to be use with the BAMOPHOX

## PROBES WITH COAXIAL CELLS

With cell factors of 0.1 and 0.01 values, these probes are dedicated to measurement of liquid resistivity between 10 kOhm and 30 MOhm.

The external electrode (*surrounding frame*) assures the mechanical protection of the centric electrode and limit the measuring area for an accurate factor definition.

By construction, these probes are sturdy. PTFE insulation is a warranty for chemical compatibility even with highly aggressive liquids.

Wiring:

- Through a removable coaxial connector PL259,
- Through an industrial head housing (*Alloy or PBT*),
- Through a coaxial connecting plug BNC type,
- Directly with the cable output.

Some probe models have a built in temperature sensor (*Pt 100 Ohm / 0°C*) to allow an automatic temperature compensation (*only for industrial head housing type*). Other probes can be completed by an external standard temperature probe (see our data sheets 610 +).

## CELL FACTOR

The cell factor is the ratio between the measurement done through the probe and the real value of resistivity.

For instance a 0.1 factor probe in a 10 kOhm liquid will measure a resistance of 1 kOhm. On the BAMOPHOX the display will be 10 kOhm.

For high conductive liquids (low resistivity) it will be necessary to use probes with cell factor of 1 or 10. (*please, see our BF1200 types – data sheet 361-01*) or inductive sensors (*see our toroidal sensors – data sheet 364-01*).

## SPECIAL CABLE FOR CONDUCTIVITY

For measuring systems, the cable between sensor and monitor is essential in conductivity or resistivity measurements:

- To avoid measurement errors,
- To assure a high accuracy.

We supply a special cable (*CCA*) convenient for 0.1 or 0.01 cell factor probes. The probes with a cable output like other probes or cells will need a coaxial plug BNC type for the connection to the monitor. The cable should of an entire length.

The use of a standard coaxial cable is prohibited as errors of over 50% will occur with a short length cable (*even less than 1 metre*).

## CABLE FOR TEMPERATURE SENSOR

To connect the temperature sensor we supply a 3 wires cable C3B (3 x 0.22 mm<sup>2</sup>). The shield is connected only on one end.

# BAMO MESURES

22, Rue de la Voie des Bans - Z.I. de la Gare - 95100 ARGENTEUIL

Tél : (+33) 01 30 25 83 20 - Web : [www.bamo.fr](http://www.bamo.fr)

Fax : (+33) 01 34 10 16 05 - E-mail : [info@bamo.fr](mailto:info@bamo.fr)

RESISTIVITY & CONDUCTIVITY  
**BS - BC**

17-12-2008

360 I1 01 H

**RES**

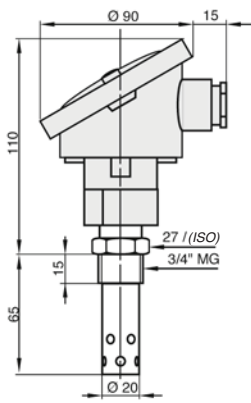
**360-01/1**

## CODE NUMBERS AND REFERENCES

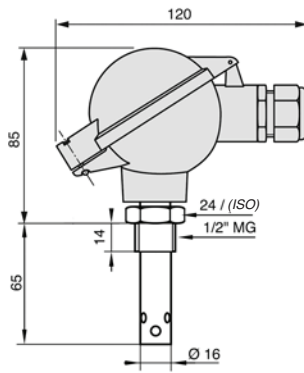
Code	Reference	Factor	Pt 100	Process connection	Probe material	Connector type	Pressure / bar	T° / °C
<b>By insertion</b>								
360 100	BS 570	0.1	-	3/4"	316L	PL 259	10	100
360 112	BS 572	0.1	-	3/4"	316L	Aluminium housing	10	100
360 125	BS 650 CT	0.1	YES	3/4"	316L	Aluminium housing	10	100
360 127	BS 651 CT	0.1	YES	3/4"	316L	Cable output, 2 x 5 m	10	100
360 130	BS 573/50	0.1	-	Clamp Ø 50	316L	Aluminium housing	10	100
360 132	BS 573/50 CT	0.1	YES	Clamp Ø 50	316L	Aluminium housing	10	100
360 135	BS 660 CT	0.01	YES	3/4"	316L	Aluminium housing	10	100
360 137	BS 661 CT	0.01	YES	3/4"	316L	Cable output, 2 x 5 m	10	100
360 310	BS 1284	0.1	-	1/2"	316L	PL 259 Connector	10	100
360 312	BS 1283/34	0.1	-	Clamp Ø 34	316L	PL 259 Connector	10	100
360 313	BS 1283/50	0.1	-	Clamp Ø 50	316L	PL 259 Connector	10	100
360 315	BS 1285	0.1	-	1/2"	316L	Al housing	10	100
360 500	BC 1425	0.1	-	1/4"	316L	5 m cable output	5	50
360 502	BC 1425/BNC	0.1	-	1/4"	316L	5 m cable output +BNC	5	50
360 507	BC 1427	0.1	-	1/4"	316L	BNC connector	5	50
<b>By immersion</b>								
360 200	BS 575	0.1	-	Flange DN 20	316L	Aluminium housing	10	100
360 210	BS 575 CT	0.1	YES	Bride DN 20	316L	Aluminium housing	10	100
360 220	BS 585	0.01	-	Bride DN 20	316L	Aluminium housing	10	100
360 230	BS 585 CT	0.01	YES	Bride DN 20	316L	Aluminium housing	10	100
360 400	BS 1287	0.1	-	1"	PVC	PBT housing	5	50
360 450	BS 1287 CT	0.1	YES	1"	PVC	PBT housing	5	50

## ACCESSORIES

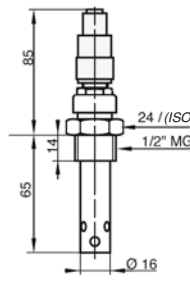
Code	Reference	Designation
360 410	BS 1288	PVC Flange DN 20 PN 10/16 for BS 1287
368 100	CCA	Special coaxial cable for conductivity
368 200	PL 259	Coaxial connector for BS 1284 and BS 570
368 210	BNC/CCA	Coaxial connector BNC to thread on CCA cable
610 010	C3B	3 wires cable (3 x 0.22 mm <sup>2</sup> ), shielded, for temperature compensation



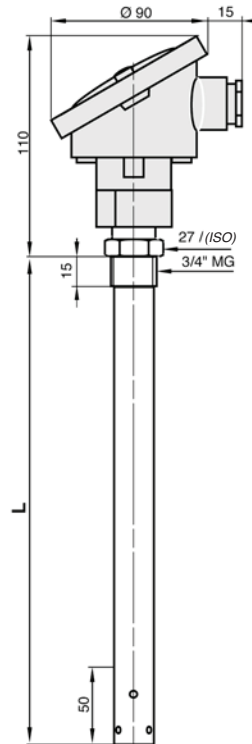
BS 572



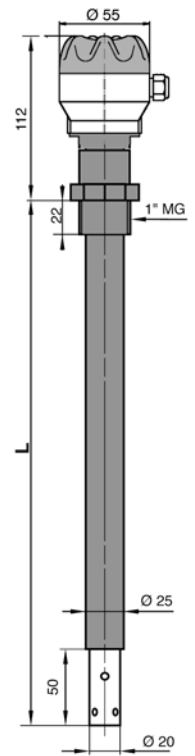
BS 1285



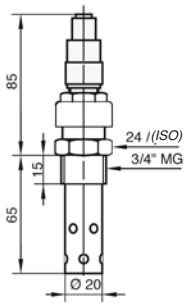
BS 1284



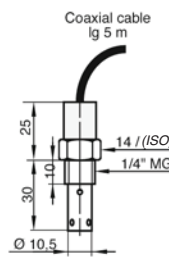
BS 575 - BS 575 CT



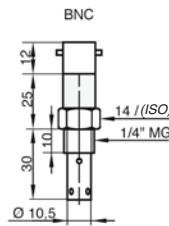
BS 1287 - BS 1287 CT



BS 570



BC 1425



BC 1427

# BAMO MESURES

22, Rue de la Voie des Bans - Z.I. de la Gare - 95100 ARGENTEUIL

Tél : (+33) 01 30 25 83 20 - Web : [www.bamo.fr](http://www.bamo.fr)

Fax : (+33) 01 34 10 16 05 - E-mail : [info@bamo.fr](mailto:info@bamo.fr)

## RESISTIVITY & CONDUCTIVITY BS - BC

17-12-2008

360 I1 01 H

## RES

360-01/2