

COMPENSATION TEMPERATURE PROBES

9090

- Pt 100 Ohm at 0°C
- Compatibility with our electrode holders
- Range: -20°C up to +150°C

APPLICATION

Pt 100 Ohm probes 9090 are designed for the temperature measurement from -20°C to +150°C in pH or ORP applications. The 9090 probes are in accordance with the standard DIN 43760.

DESCRIPTION

The sensor fits a PVC, PVDF or stainless steel (316L) stem. Process connection is PG13.5 or a 12 mm diameter pressure gland connection. Electrical connection is through a specific coaxial plug, IP65 with a low contact resistance.

To avoid troubles, the cable is delivered already assembled with the specific plug. Cable is shielded with 3 wires, 0.22 mm².

CODE NUMBERS AND REFERENCES

Code	Reference	Designation
150 903	9093 probe	PVDF temperature probe, length: 120 mm
150 904	9094 probe	Stainless steel probe, 316 L, length: 120 mm
150 906	C3B/10/CO	Plug fitted with 10 m cable C3B
150 907	C3B/20/CO	Plug fitted with 10 m cable C3B

TEMPERATURE LIMITS

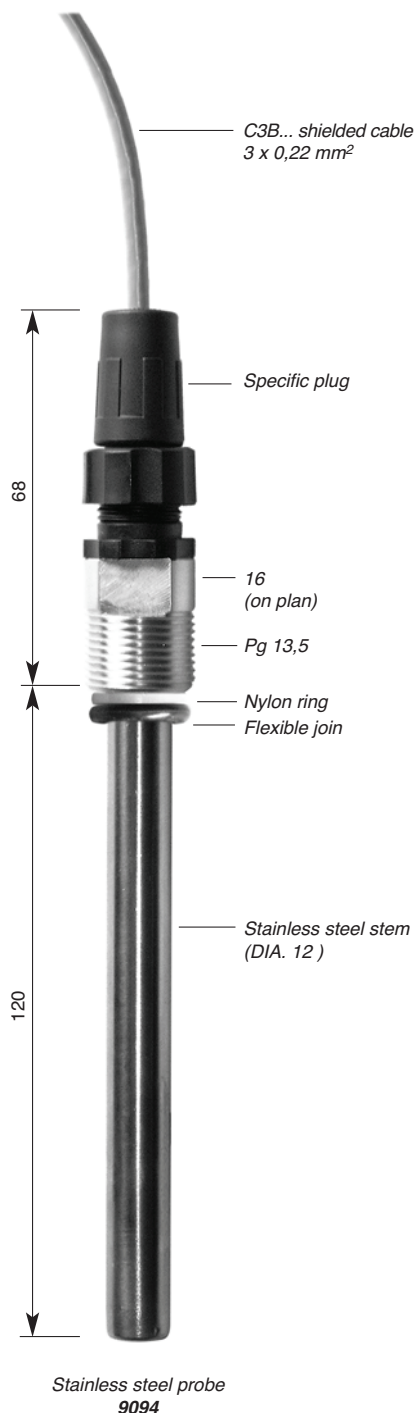
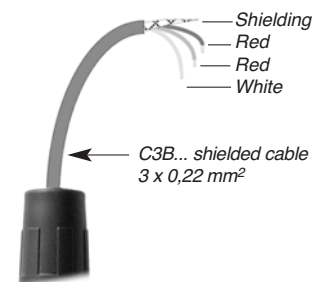
PVDF	-20... 140°C
Stainless steel	-20... 150°C

INDICATORS - TRANSMITTERS

This 9090 type of probes is mainly used in pH or ORP applications with automatic temperature compensation.

A large choice for industrial applications is available on documentations 611 to 617, with stems, probes and sensors up to 600°C.

WIRING



BAMO MESURES

22, Rue de la Voie des Bans - Z.I. de la Gare - 95100 ARGENTEUIL
 Tél : (+33) 01 30 25 83 20 - Web : www.bamo.fr
 Fax : (+33) 01 34 10 16 05 - E-mail : info@bamo.fr

COMPENSATION
 TEMPERATURE PROBES
9090

20-05-2008

150 I1 02 F

pH

150-02/1