

In-line insertion probe, pH electrode holder 9400

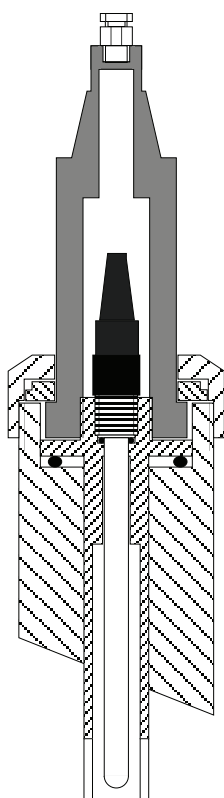


Fig. A
Stainless steel
weld-on adaptor



Fig. B
Under pressure
mounting

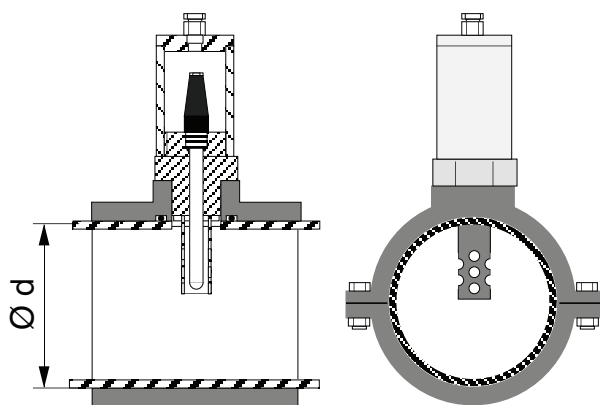


Fig. C -
Collar mounting electrode holder

- Direct measurements on pipe
- For pH and ORP combination electrodes
- Electrode connection PG 13.5
- Maximal pressure 21 bar
- Maximal temperature 135°C
- PVC, PPH, PVDF
or Stainless steel construction
- Hot tap electrode holder,
Mounting and dismantling under pressure
- Fittings: threaded end, weld-on end
or collar
- Wiring: waterproof assembly
- Electrode protection stem

DESCRIPTION

Continuous flow probes 9400, equipped with a convenient electrode, are designed for pH or ORP measurements on pipe. The electrode holder allows an easy dismantling to avoid electrode crush when calibration or maintenance operations are done. When the process cannot be shut off, we propose a special hot tap electrode holder to mount or dismantle the electrode under pressure (Fig. B).

TECHNICAL FEATURES

Type	Material	Connection	Pressure Max. at 20 °C	T° max Max. at 1 bar
A – To glue or weld-on probe				
9411	PVC	Ø 50 to glue	10 bar	50 °C
9412	PPH	Ø 50 to weld-on	10 bar	90 °C
9413	PVDF	Ø 50 to weld-on	10 bar	110 °C
9410	Stainless	Ø 41,9 to weld-on	16 bar	110 °C
B – Under pressure mounting electrode, probe				
9423	PPH	BSP ¼	5 bar	50 °C
C – Collar mounting probe				
9431	PVC	Collier Ø 40 to Ø 315	10 bar	50 °C
9432	PPH	Collier Ø 40 to Ø 315	10 bar	90 °C

ASSOCIATED ELECTRODES

With all electrode holders above, pH or ORP electrodes are available, refer to documentation 150.

Depending on pressure and temperature conditions, we may propose you electrodes that can reach up to 21 bar at 20°C and 2 bar at 135°C; please consult us.