

# PH OR ORP IN-LINE ELECTRODE HOLDER 9240



- Simple and economic assembly
- pH or ORP in-line measurement
- For gel type electrodes
- With electrode fitting PG 13.5
- Maximal pressure 7 bar/ 20°C
- Maximal temperature 50°C
- Material PVC
- Socket ends diameter 25 mm,
- Options: unions; DN20 PN10 flanges

## DESCRIPTION

9240 in-line electrode holders equipped with suitable electrodes allow measurement of pH or ORP in pipes under pressure.

For pipe diameters above 25 mm, the probe has to be inserted on a bypass line with a ball-valve or with an elbow to create a pressure drop insuring a better liquid flow.

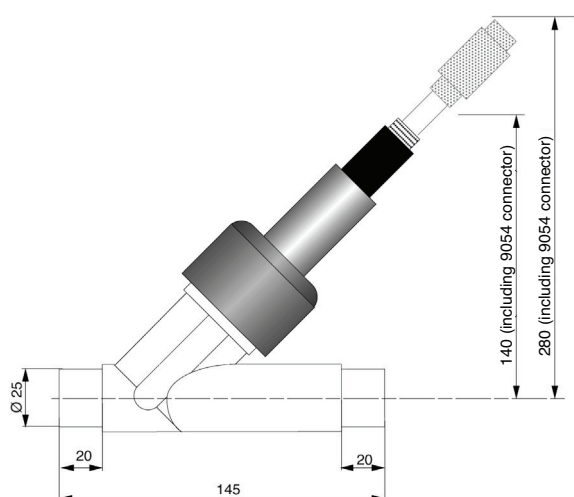
An average flow rate limit to respect is 500 L/h to protect the good operation conditions for the electrode.

## CODE NUMBER AND REFERENCE

Code	Reference	Designation
140 600	9240	In-line electrode holder for gel type electrode

## ELECTRODES

Code	Reference	Parameter	Thread	Pressure
150 112	9308 RP	0 - 14 pH	PG 13.5	6 bar
150 342	9387	0 - 14 pH	PG 13.5	6 bar
150 117	9318 RD	ORP (Pt)	PG 13.5	6 bar
150 118	9319 R	ORP (Au)	PG 13.5	6 bar



# BAMO MESURES

22, Rue de la Voie des Bans - Z.I. de la Gare - 95100 ARGENTEUIL

Tél : (+33) 01 30 25 83 20 - Web : [www.bamo.fr](http://www.bamo.fr)

Fax : (+33) 01 34 10 16 05 - E-mail : [info@bamo.fr](mailto:info@bamo.fr)

PH OR ORP IN-LINE  
ELECTRODE HOLDER  
**9240**

pH

140-02/1